

4

3

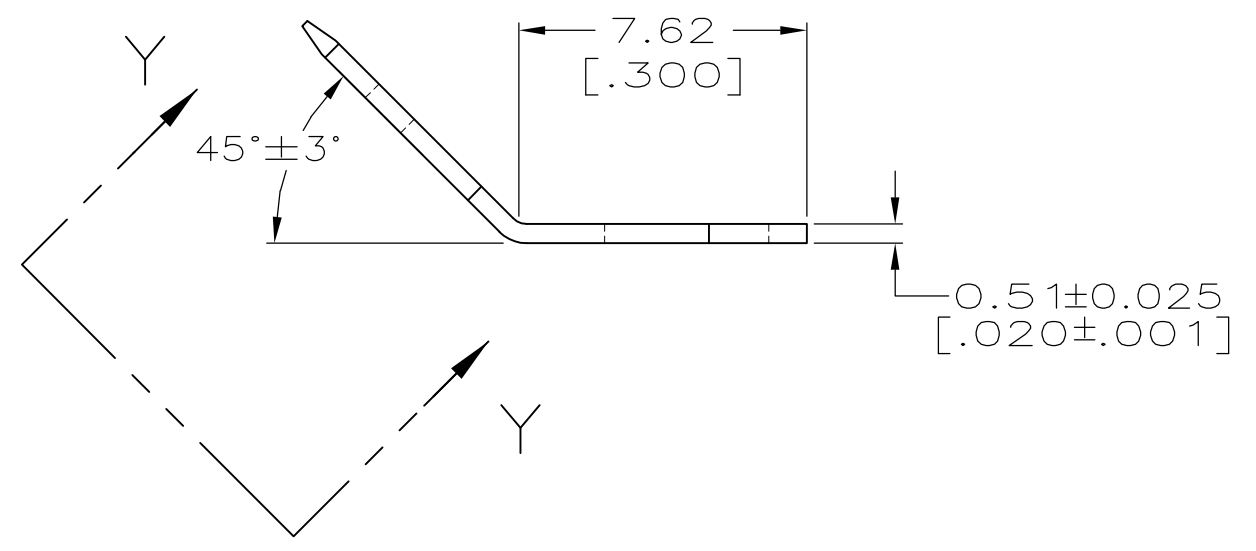
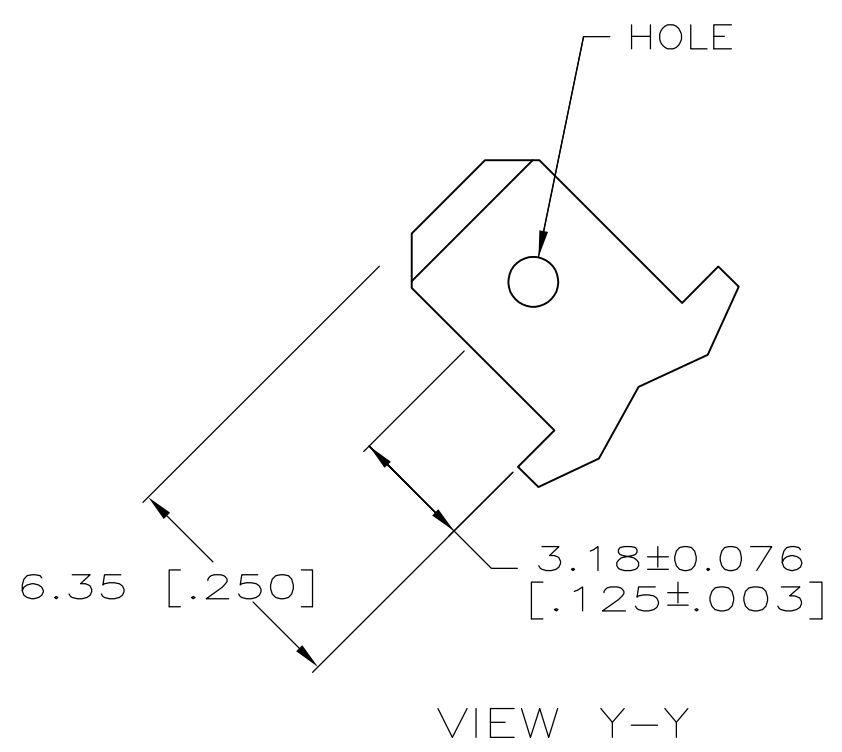
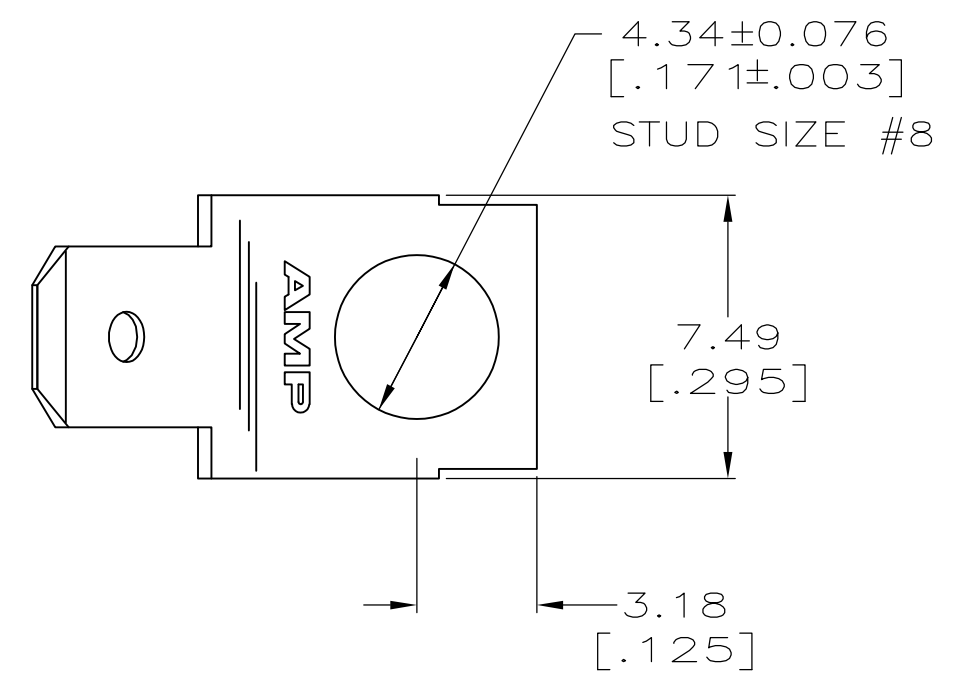
2

1


THIS DRAWING IS UNPUBLISHED. RELEASED FOR PUBLICATION  
 © COPYRIGHT - By - ALL RIGHTS RESERVED.

LOC	DIST	REVISIONS			
P	LTR	DESCRIPTION	DATE	DWN	APVD
AF	50	E	REVISED PER ECR-13-011489	05DEC2013	KH PD

1 SUPPLIED IN LOOSE PIECE.



61664-1  
 PART NO.

THIS DRAWING IS A CONTROLLED DOCUMENT.		DWN	JR RUTH	1/10/97	 TE Connectivity
DIMENSIONS: mm [INCHES]		CHK	MS FEHER	1/10/97	
TOLERANCES UNLESS OTHERWISE SPECIFIED:		APVD	J HUZVAR	1/10/97	
0 PLC ± - 1 PLC ± - 2 PLC ± 0.38 [.015] 3 PLC ± - 4 PLC ± - ANGLES ± -		PRODUCT SPEC		NAME	
MATERIAL: BRASS		FINISH: TIN		APPLICATION SPEC	
		WEIGHT: -		TAB, FASTON, 4.75 [.187] SERIES	
		CUSTOMER DRAWING	SCALE: 5:1	SHEET: 1 OF 1	RESTRICTED TO: -
		A3 00779		DRAWING NO: C-61664	
		REV: E			